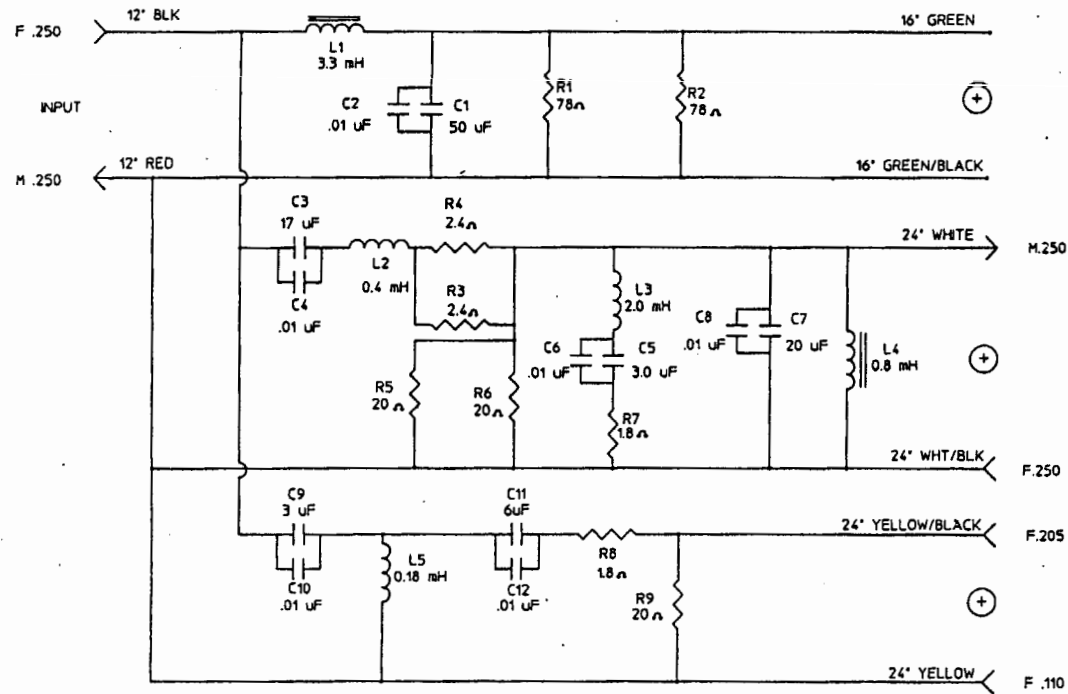


THESE DRAWINGS AND SPECIFICATIONS ARE THE PROPERTY OF HARMAN SPEAKER MANUFACTURING COMPANY. THEY ARE MADE IN STRICT CONFIDENCE AND SHALL NOT BE REPRODUCED, COPIED, OR USED AS THE BASIS FOR MANUFACTURE OR SALE OF APPARATUS WITHOUT WRITTEN PERMISSION.

REVISIONS					
QMS	LTB	DESCRIPTION	DRAFT	CHK	DATE
64SR	B	REPLACE PINK CARD	HF		
75SR	C	C3 VALUE WAS 4K, C7 VALUE WAS 3K, 24' WHT & WHT/BLK WAS 22', ADDED NOTE 1	PL		1/7/73 C.T.

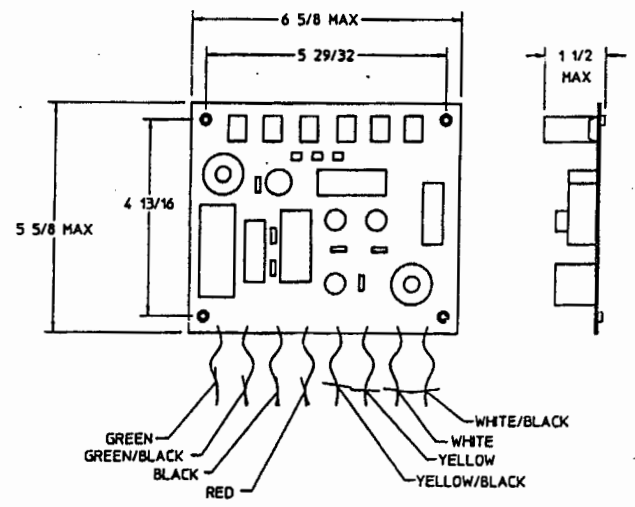
N4410A-R/L



- L1- 3.3 mH, ± 5%, DCR < 0.45 Ω , SATURATION > 6 A, HYSTERESIS < 3%.
- L2- 0.4 mH, ± 5%, DCR < 0.45 Ω , AIRCORE.
- L3- 2.0 mH, ± 5%, 5 A SATURATION, HYSTERESIS < 3% DCR 0.65 Ω ± 10%.
- L4- 0.8 mH, ± 5%, DCR < 0.5 Ω , SATURATION > 4 A, HYSTERESIS < 3%.
- L5- 0.18 mH, ± 5%, AIR CORE, DCR 0.45 Ω ± 10%.
- C1- 50 μ F, ± 5%, 100 V NPE, D.F. < 4%.
- C3- 17 μ F, ± 5%, 100 V NPE, D.F. < 3% (6 AMP PEAK, 3 AMP AVERAGE).
- C5- 3.0 μ F, ± 5%, 100 V NPE, D.F. < 3%.
- C7- 20 μ F, ± 5%, 100 V NPE, D.F. < 3%.
- C9- 3.0 μ F ± 5% MYLAR.
- C11- 6.0 μ F ± 5% MYLAR.
- C2,4,6,8,10,12- 0.01 μ F ± 20% POLYPROPYLENE, 100 V OR MORE.
- R1, R2-78 Ω , ± 5%, 10W
- R3, R4-2.4 Ω , ± 5%, 10W
- R5, R6-20 Ω , ± 5%, 10W
- R7, R8-1.8 Ω , ± 5%, 5W
- R9-20 Ω , ± 5%, 5W

1. PART NUMBER SHOULD BE INDICATED ON PARTS SIDE OF THE P.C.B.

NOTES: (SEE DRAWING NOTES)



ITEM	PART NO.	DESCRIPTION	REMARKS
BILL OF MATERIAL			
<small>UNLESS OTHERWISE SPECIFIED DIMENSIONS ARE IN INCHES</small> <small>UNLESS OTHERWISE SPECIFIED DIMENSIONS ARE IN MILLIMETERS</small> <small>FINISHES: UNLESS OTHERWISE SPECIFIED</small> <small>SIZE: 1/16" & 2/32" INCH</small> <small>SIZE: 1/32" INCH</small> <small>SIZE: 1/64" INCH</small> <small>FRAGILE COMPONENTS - USE CARE</small> <small>ALL DIMENSIONS AND TOLERANCES UNLESS OTHERWISE SPECIFIED</small> <small>DO NOT SCALE DRAWING</small>		<small>DESIGNED BY</small> H. PELOSTEDT <small>DATE</small> 9/18/72	HARMAN SPEAKER MANUFACTURING <small>A Harman International Company</small> <small>Northridge, California 91329, U.S.A.</small>
		<small>SCALE</small> 1:1	<small>TITLE</small> NETWORK
		<small>NO. OF SHEETS</small> 1	<small>REV</small> C
		<small>SCALE</small> NONE	<small>SHEET</small> 1